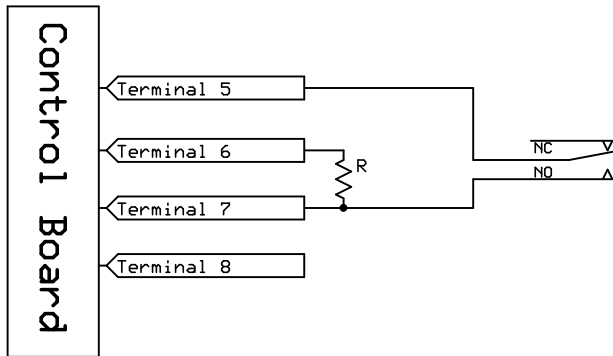
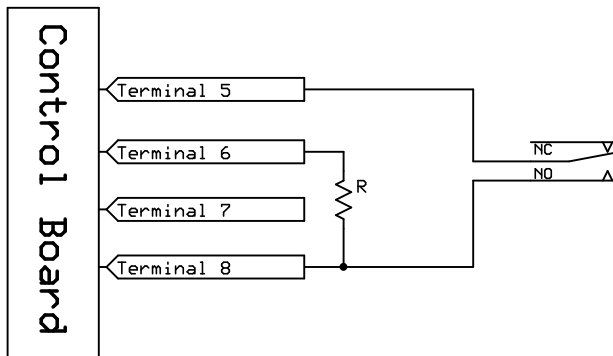


Normally Open Configuration

Beam 1

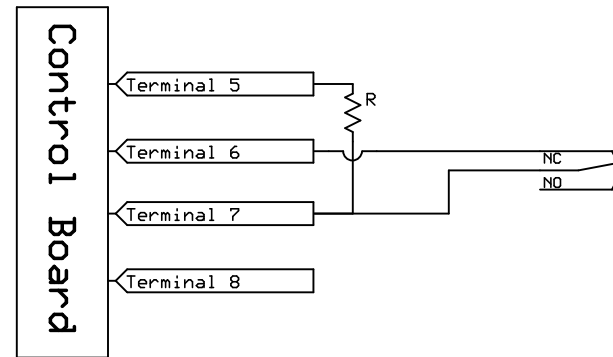


Beam 2

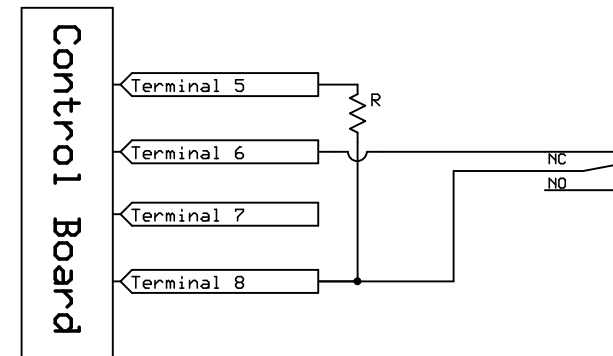


Normally Closed Configuration

Beam 1



Beam 2



Note: The resistor value can be anything between 10K and 100K

Alan's Electronic Projects

Stair Lights, N/O and N/C Connections

Alan Parekh

Rev 1.0

12/23/2009

1 of 1